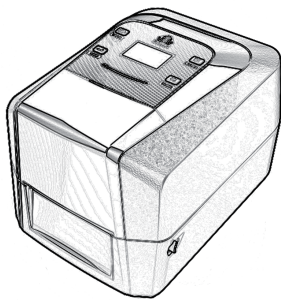
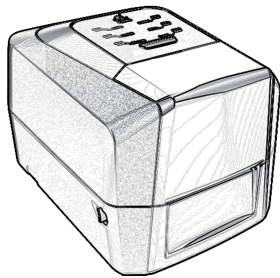
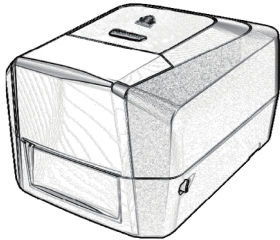
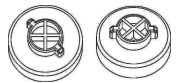
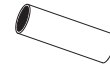
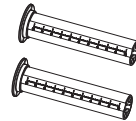
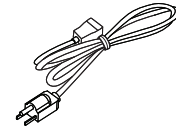
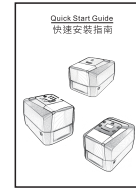
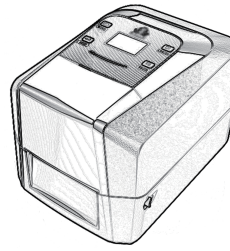


# Quick Installation Guide

## 快速安裝指南



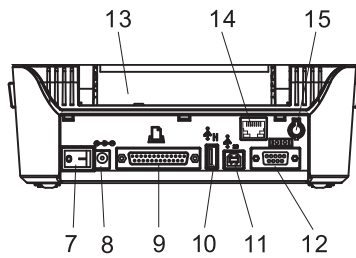
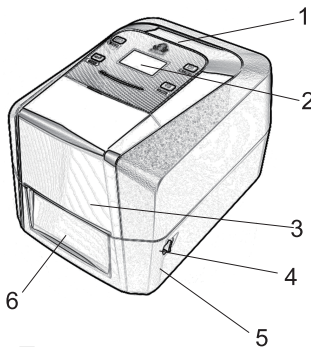
# Accessories 配件



- Label Printer, 標籤機
- Quick Installation Guide, 快速安裝指南
- USB Cable, USB 傳輸線
- Power Cord, 電源線
- Adapter, 電源變壓供應器
- Ribbon Supply/Take-up Spindle 2 pcs, 碳帶卷軸2支
- Empty Paper Core(1" core), 碳帶回收紙筒(1"內徑)
- 0.5" Ribbon cap, 0.5吋芯專用帽蓋  
(LP423N、LP423A、LP433N、LP433A)

## Printer Overview 印表機概述

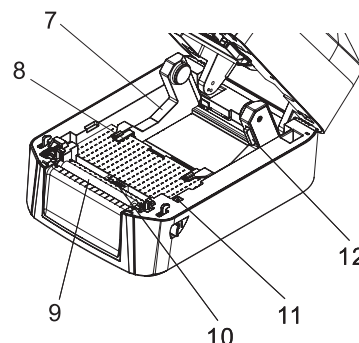
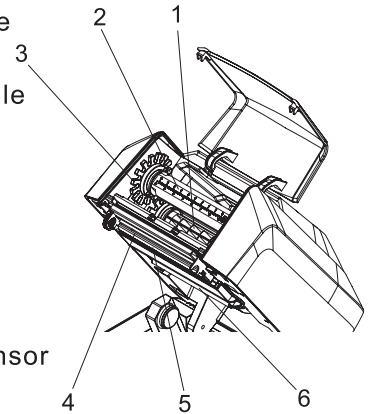
### < Outside 外部 >



- |                                       |  |
|---------------------------------------|--|
| 1. Top cover<br>上蓋                    | 9. Centronics<br>並列埠                                     |
| 2. Panel<br>(LP4 Series Only)<br>顯示面板 | 10. USB host<br>USB 主端                                   |
| 3. Ribbon cover<br>碳帶掀蓋               | 11. USB 2.0<br>USB 2.0                                   |
| 4. Top cover open lever<br>上蓋開啟鈕      | 12. RS 232<br>序列埠  |
| 5. Lower part<br>下蓋                   | 13. External label feed slot<br>外部標籤送紙口                  |
| 6. Removable baffle<br>前擋板            | 14. Ethernet interface<br>(Optional)<br>乙太網路             |
| 7. Power switch button<br>電源開關        | 15. External WiFi antenna slot<br>(Optional)<br>無線網路外部天線 |
| 8. Power slot<br>電源插孔                 |  |

### < Inside 內部 >

1. Ribbon supply spindle  
碳帶供應軸
2. Ribbon take-up spindle  
碳帶回收軸
3. Ribbon rewind wheel  
碳帶回收齒輪
4. Print head  
印字頭
5. Transmissive gap sensor  
穿透式感應器
6. Pressing lever  
壓紙桿



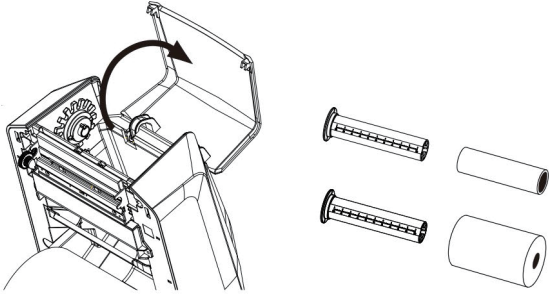
7. Label holder  
紙卷支架
8. Label guide  
導紙夾
9. Roller  
橡膠滾輪
10. Reflective gap sensor  
反射式感應器
11. Head open sensor  
開蓋感應器
12. Label holder button  
紙卷支架按鈕

Note: The interface positions, slots and buttons might have differences between different models and should be considered as final.

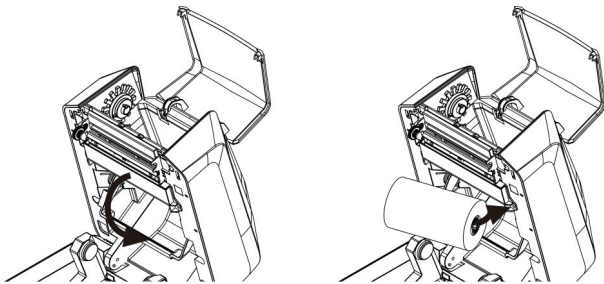
注意: 不同機型標籤機外部及內部通訊界面、配置等標示會有差異, 請依實際各型號規格為主。

## Ribbon Loading 安裝碳帶

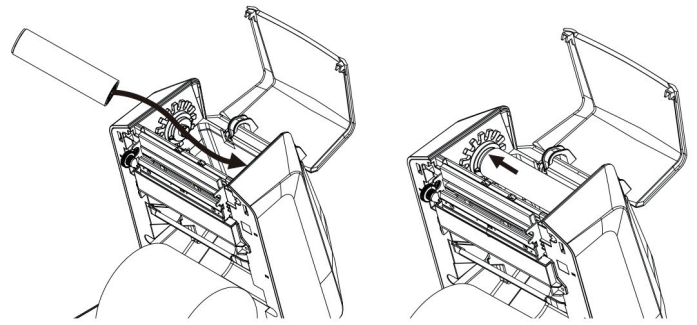
1. Open the top cover and the ribbon cover, then place an empty paper core onto the ribbon take-up spindle, install a ribbon onto the ribbon supply spindle. (PS:0.5" ribbon core - no need to install spindle)  
打開上蓋並開啟碳帶掀蓋,分別將碳帶回收紙筒與新碳帶套入碳帶卷軸(0.5"管心無須套入)



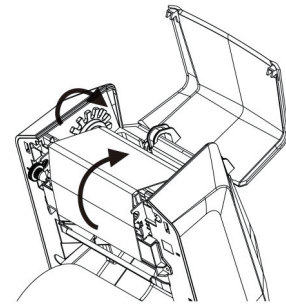
2. Pull back the pressing lever, and then load the right side of ribbon first into the ribbon supply mechanism.  
先將壓紙桿後拉,再把新碳帶插入碳帶供應軸,先從右側壓入再從左側裝入



3. Load the right side of paper core first into the ribbon take-up mechanism.  
將回收紙筒插入碳帶回收軸,先從右側壓入再從左側裝入

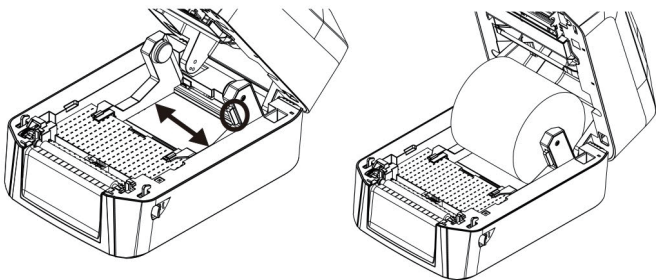


4. Pull the ribbon to bypass print head and then attach the ribbon leader on the empty paper core with tapes, then rotate the ribbon rewind wheel until ribbon surface has no wrinkle.  
將碳帶繞過印字頭,黏貼在回收紙筒上並保存平整,旋轉碳帶回收齒輪使碳帶沒有任何皺褶

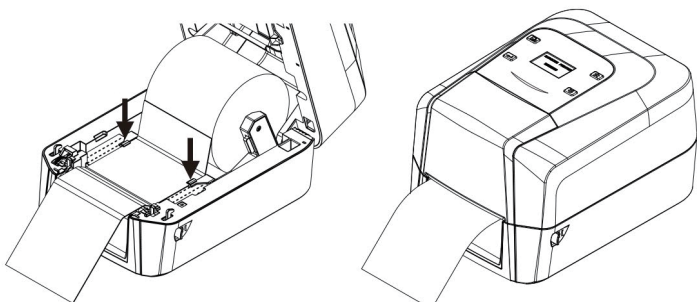


## Label Loading 安裝標籤紙

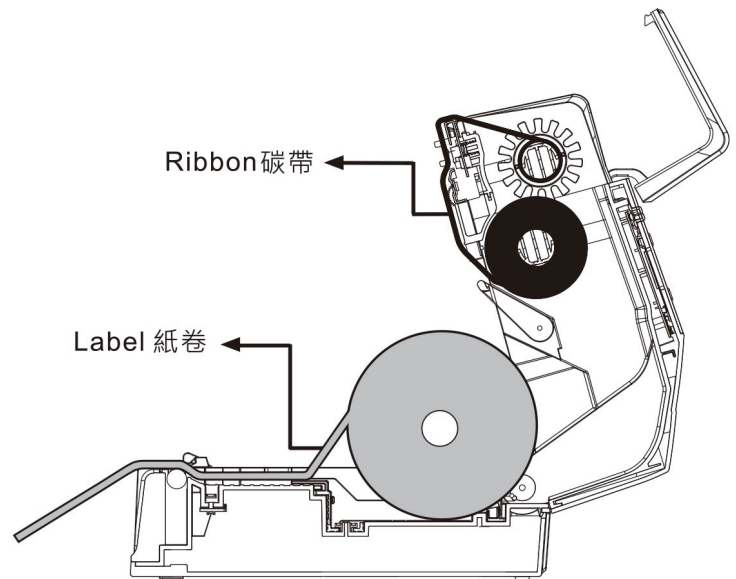
1. Press the label holder button to fit the width of label, and then place a label roll into the holder.  
調節支架上的按鈕來移動調整大小,將紙卷裝入紙卷支架



2. Pull the label through the roller, and push the both sides of label under the label guide. Close the top cover to finish installation.  
將標籤紙拉過橡膠滾輪後並壓放入兩側導紙夾內,蓋上上蓋



## Ribbon and Label Installation Paths 安裝路徑示意圖



Please download the driver and software from the Wincode website  
請至富碼官方網站下載驅動程式與相關軟體  
[www.wincodetek.com/service](http://www.wincodetek.com/service)

